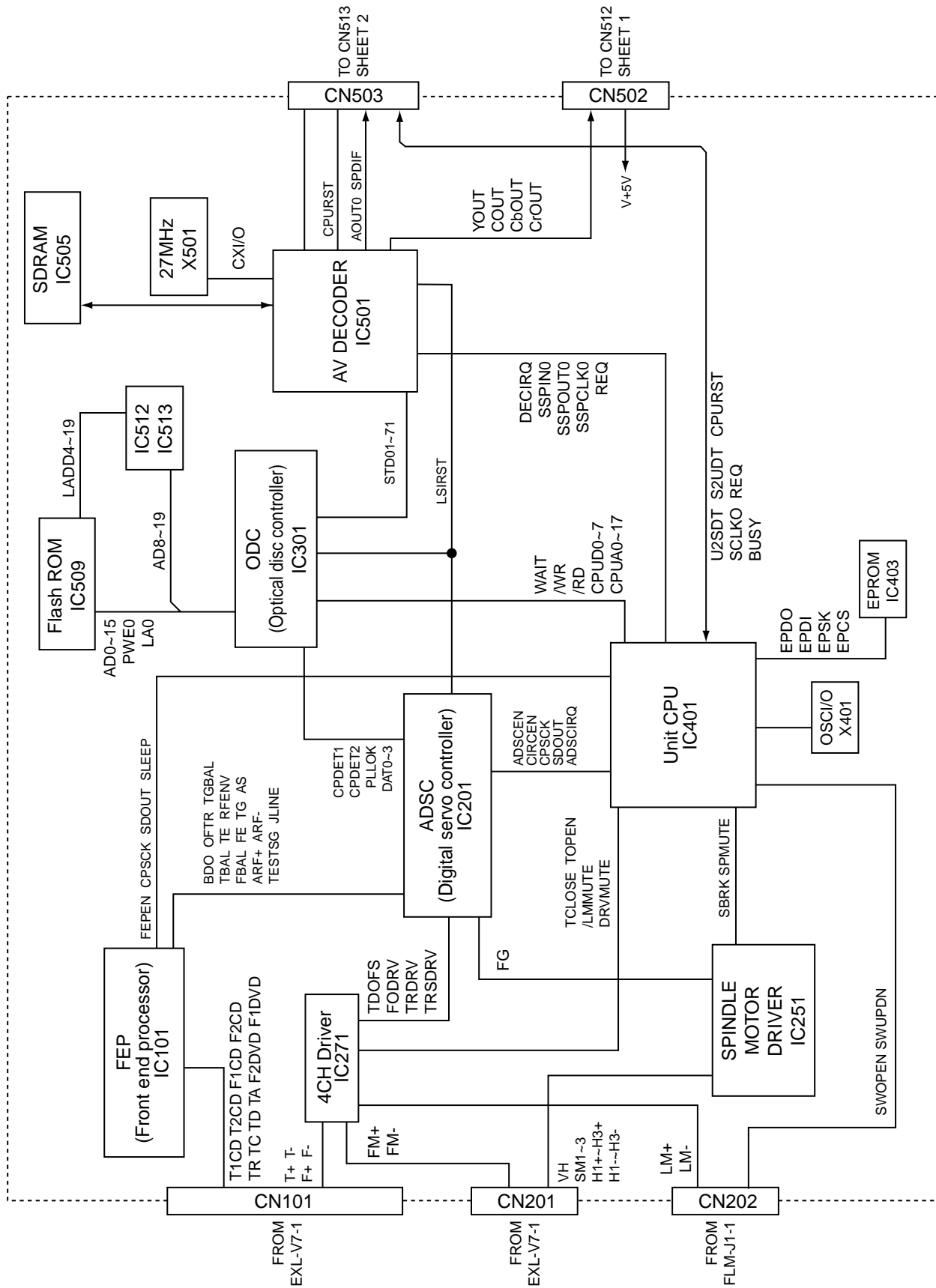
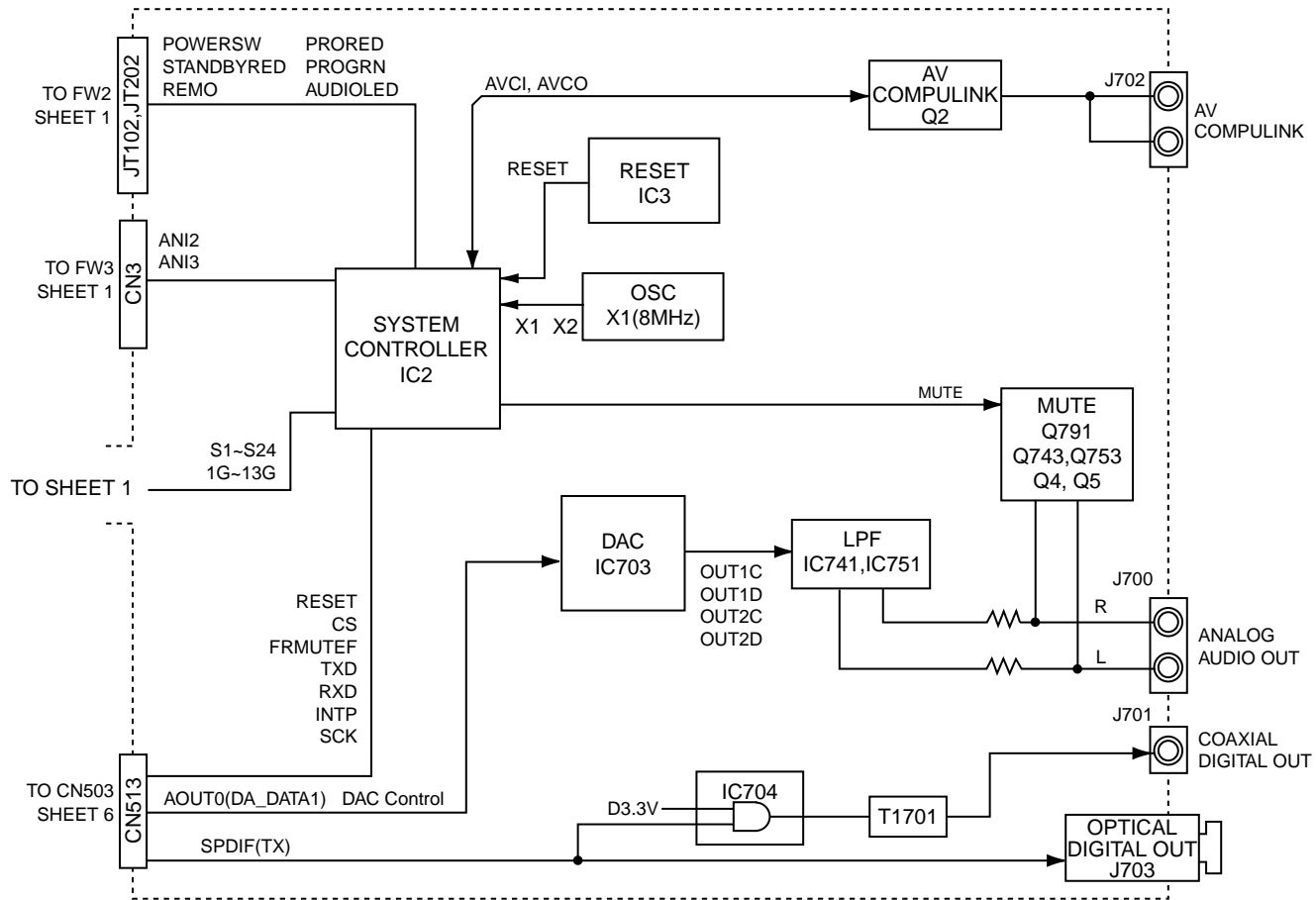


# Block diagrams

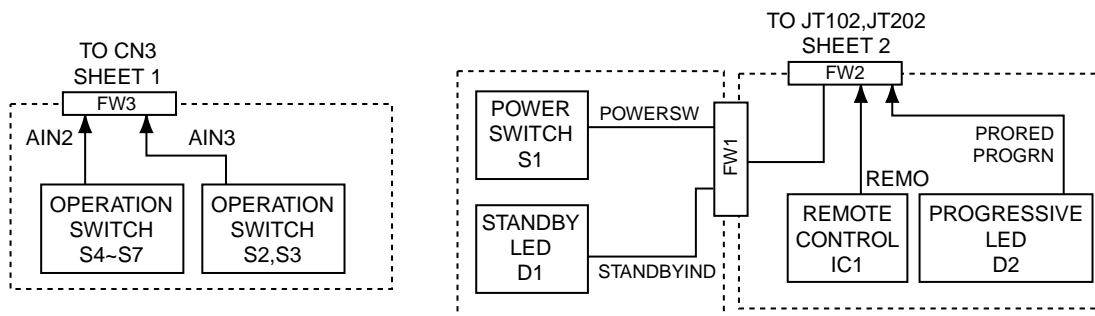
## ■ DVD Servo control & AV decoder section(SHEET 4,5,6)



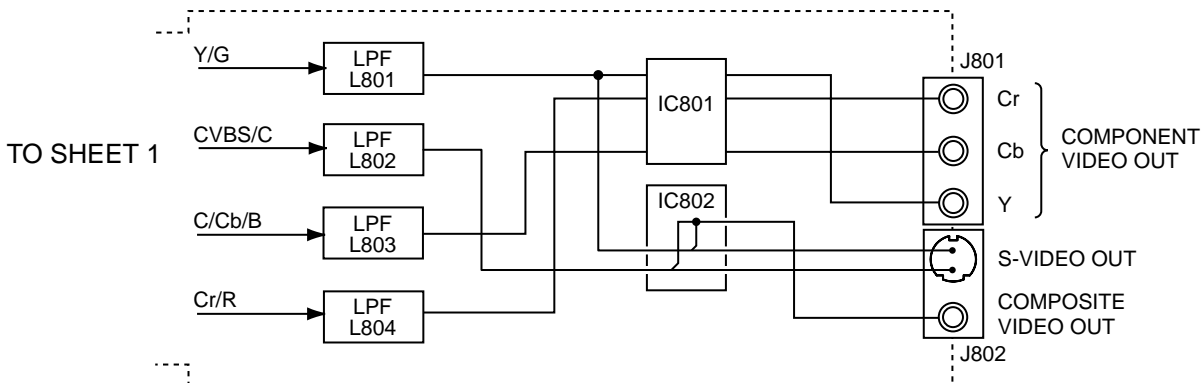
■ System control & audio output section(SHEET 2)



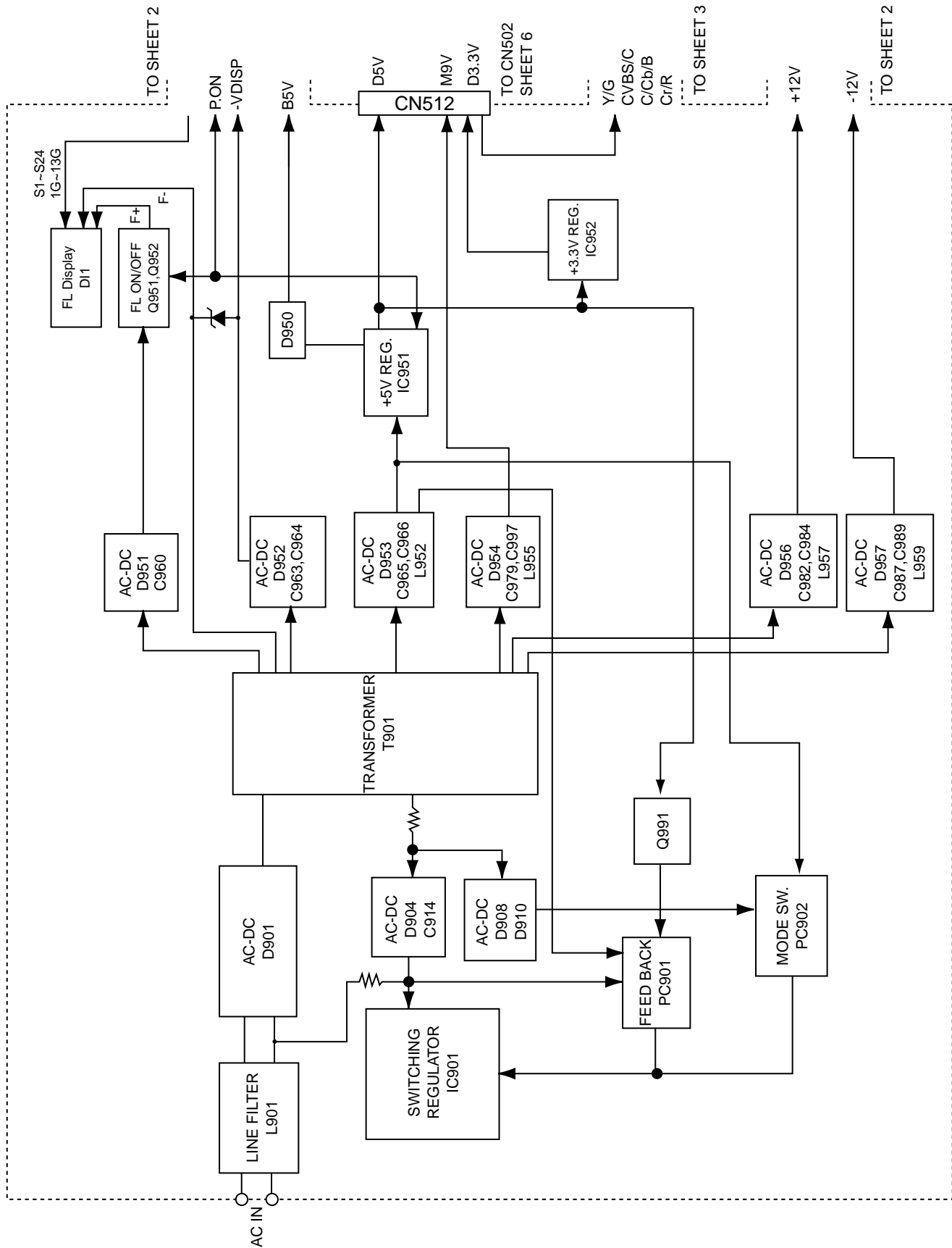
■ Operation switch section(SHEET 1)



■ Video output section(SHEET 3)



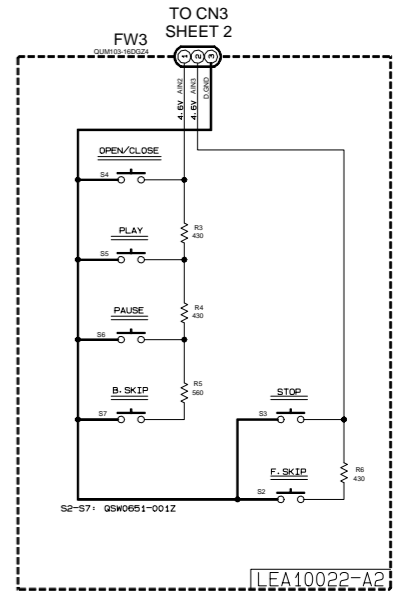
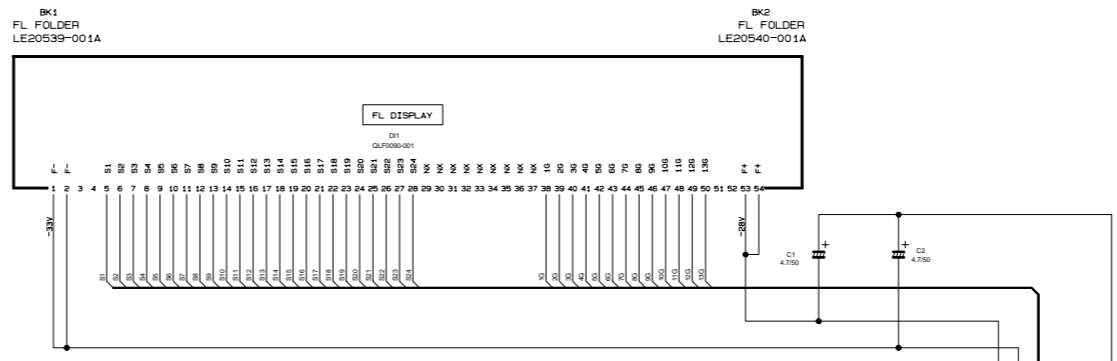
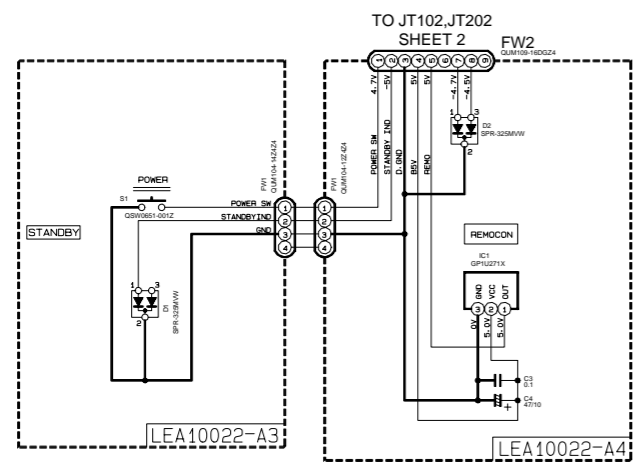
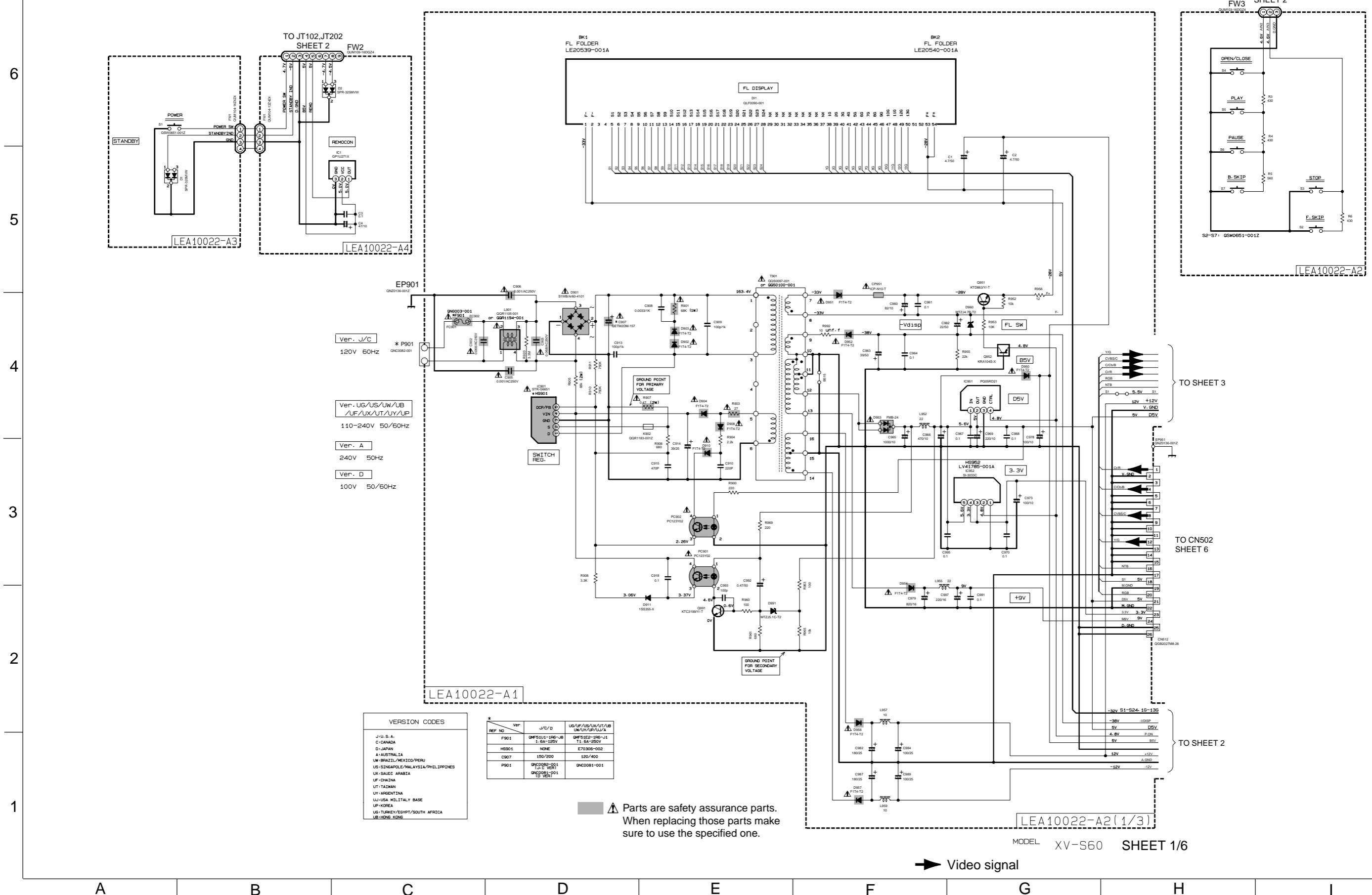
■ DC Regulator section (SHEET 1)



<<MEMO>>

# Standard schematic diagrams

## FL Display & Power supply section



- Ver. J/C: 120V 60Hz
- Ver. UG/US/UW/UB /UF/UX/UT/UY/UP: 110-240V 50/60Hz
- Ver. A: 240V 50Hz
- Ver. D: 100V 50/60Hz

VERSION CODES

J·U·S·A.	C·C·A·N·A·D·A	D·I·S·T·R·I·B·U·T·I·O·N	A·U·S·T·R·A·L·I·A	U·K	U·S·M·I·L·I·T·A·R·Y	U·K·S·A·O·D·I	U·F·C·H·I·N·A	U·T·T·A·I·M·A·N	U·Y·A·R·G·E·N·T·I·N·A	U·S·M·I·L·I·T·A·R·Y	U·F·K·O·R·E·A	U·S·T·U·R·K·E·Y	U·S·S·R
----------	---------------	-------------------------	-------------------	-----	---------------------	---------------	---------------	-----------------	-----------------------	---------------------	---------------	-----------------	---------

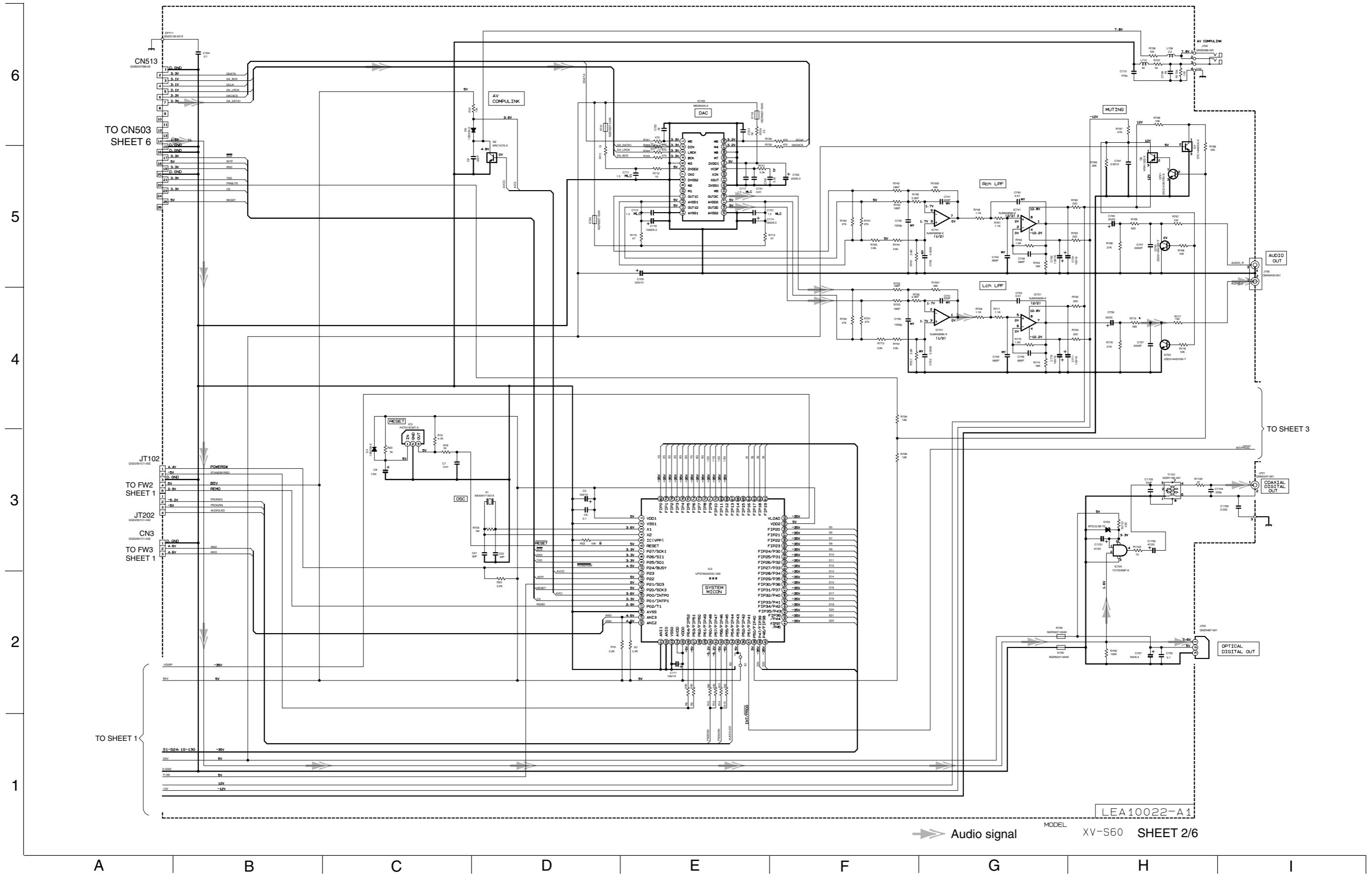
REF NO	Ver	J/C/D	U/G/US/UK/UT/UB	UF/UX/UY/UP
F901	QMP011-196-JB	1.6A-125V	QMP012-196-J1	1.6A-125V
H901	NONE	E70305-008		
C907	190/200	120/400		
P901	QNC008-001	J·U·C·V·E·R·1	QNC008-001	J·U·C·V·E·R·1
	QNC008-001	T·O·V·E·R·1	QNC008-001	T·O·V·E·R·1

▲ Parts are safety assurance parts. When replacing those parts make sure to use the specified one.

MODEL XV-S60 SHEET 1/6

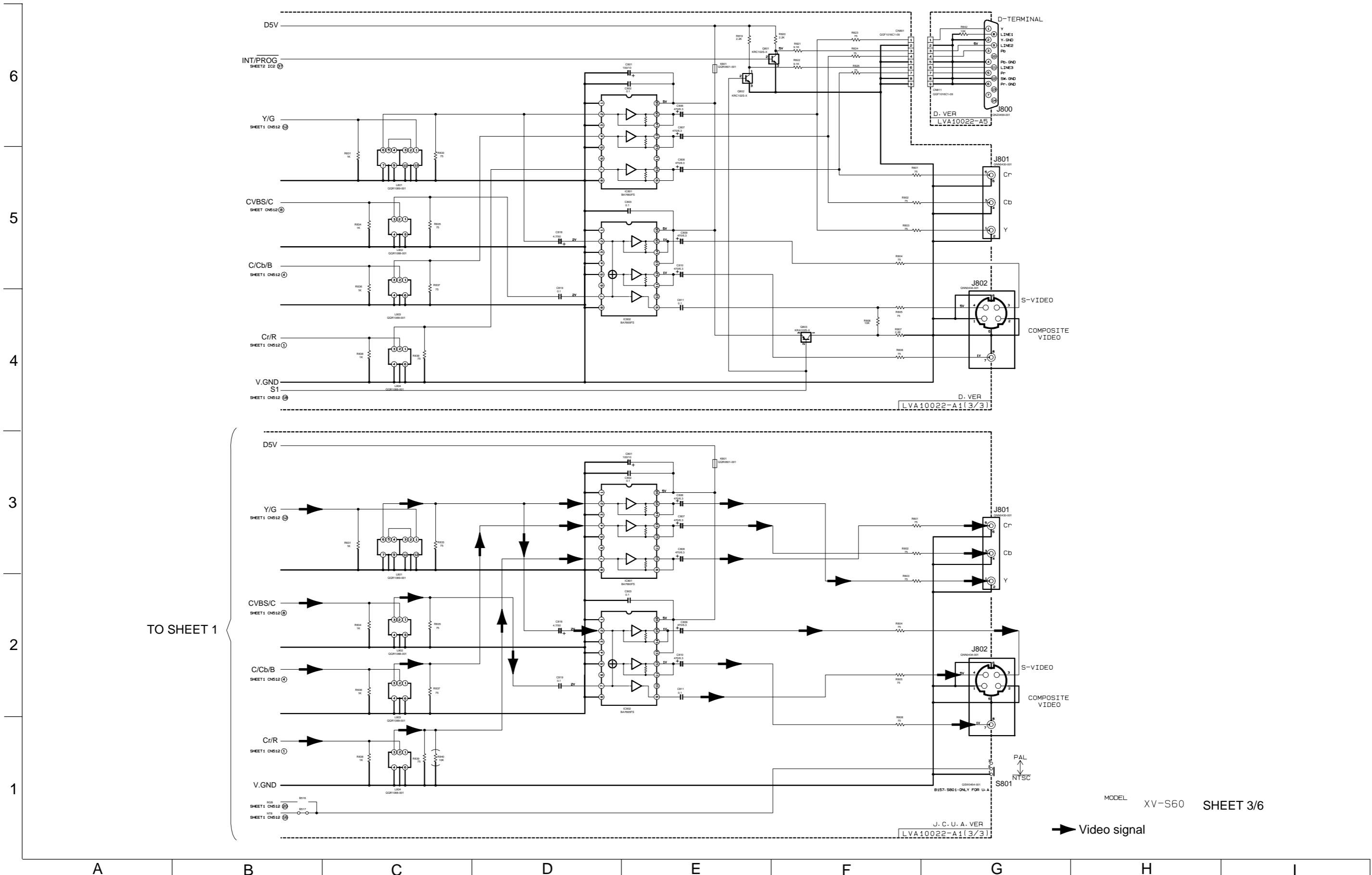
▶ Video signal

System control & audio OUT section

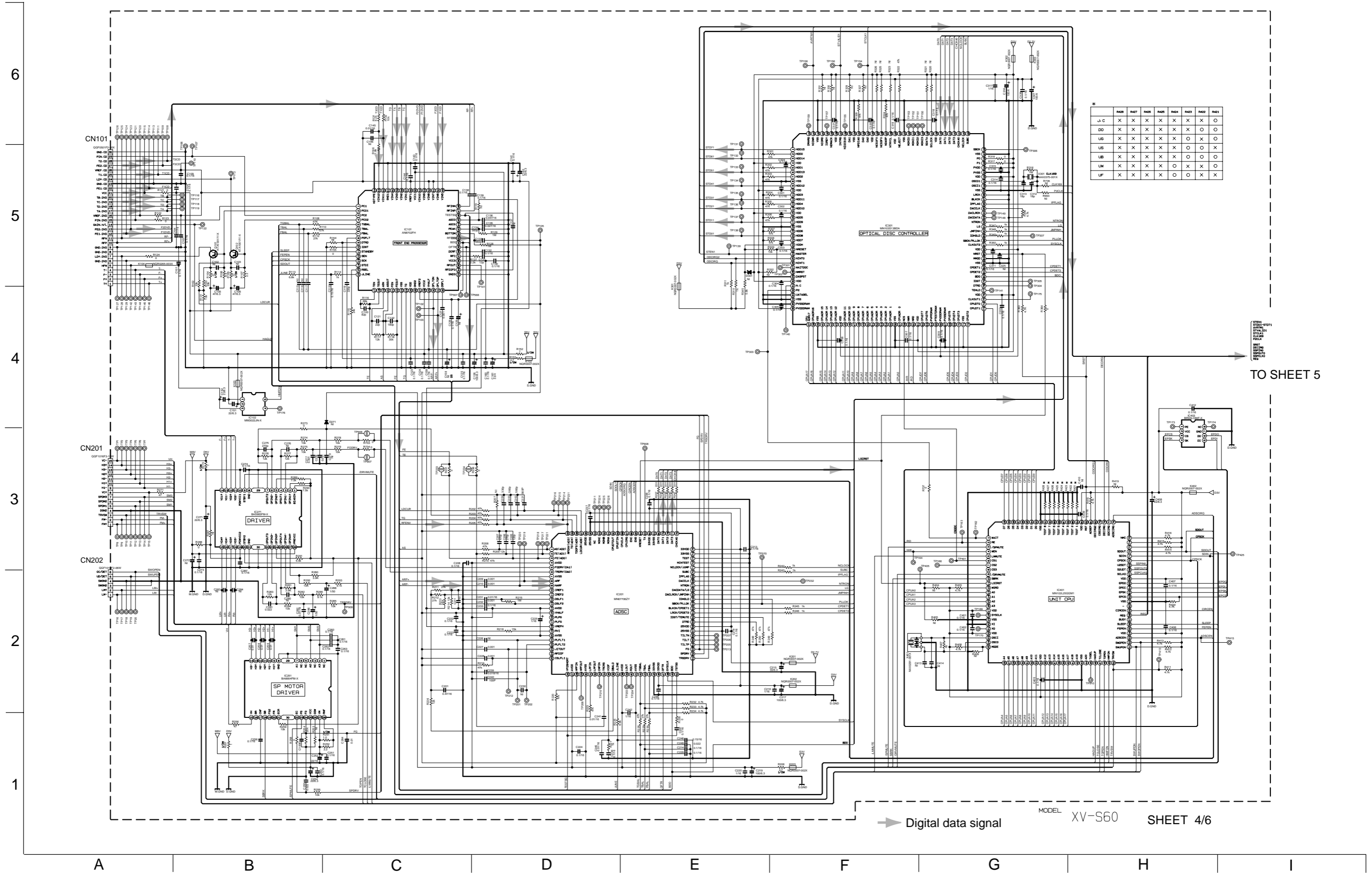


➔ Audio signal MODEL XV-S60 SHEET 2/6

■ Video OUT section



■ Servo control section



\*  

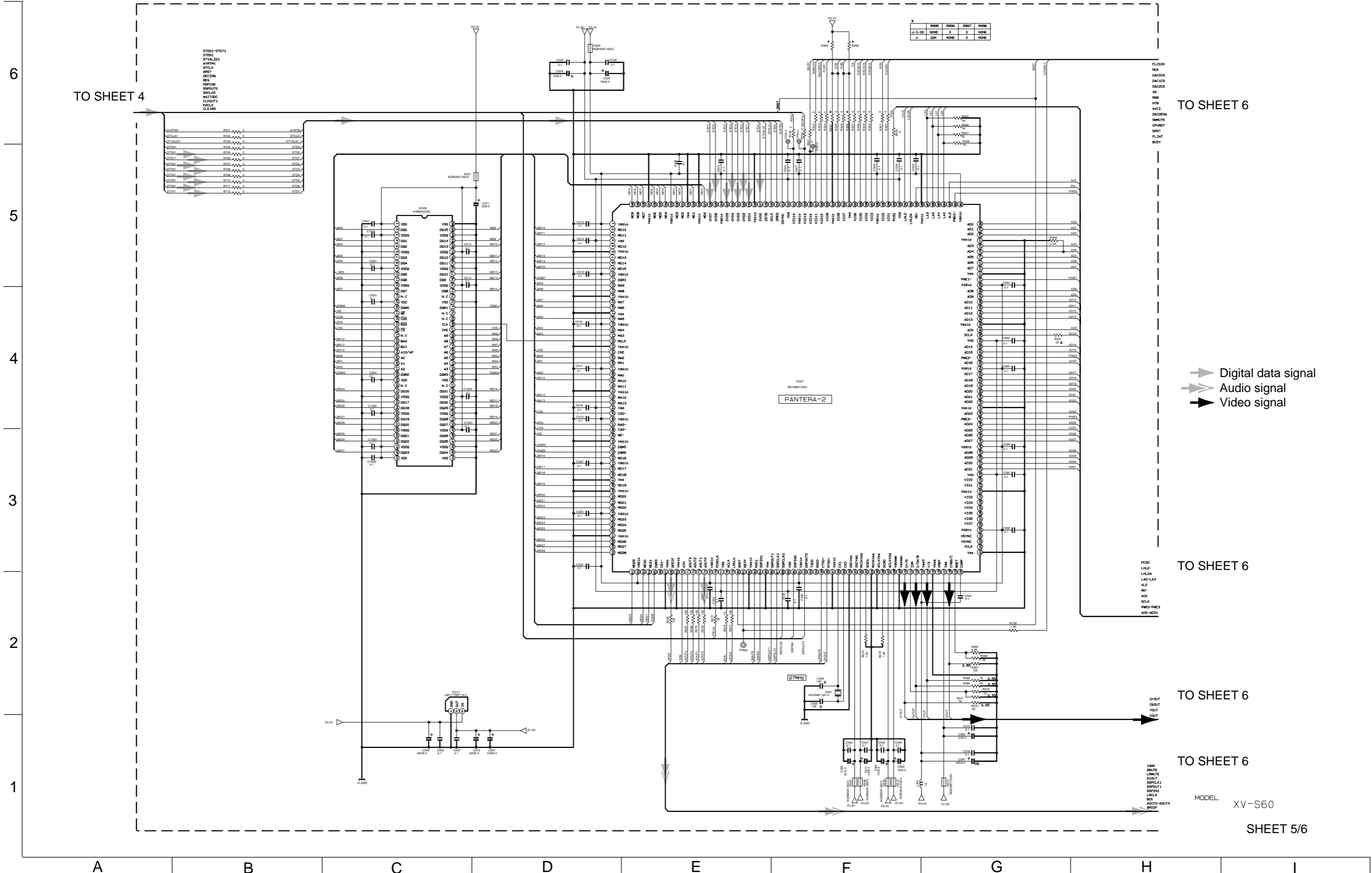
	RA0	RA1	RA2	RA3	RA4	RA5	RA6	RA7
LA-C	X	X	X	X	X	X	X	X
DO	X	X	X	X	X	X	X	X
US	X	X	X	X	X	X	X	X
LB	X	X	X	X	X	X	X	X
LM	X	X	X	X	X	X	X	X
LF	X	X	X	X	X	X	X	X

TO SHEET 5

➔ Digital data signal



AV Decoder section



	R006	R008	R007	R009
J-C-DD	NONE	0	0	NONE
U	22K	NONE	0	NONE

Digital data signal  
 Audio signal  
 Video signal

TO SHEET 6

TO SHEET 6

TO SHEET 6

MODEL XV-S60

SHEET 5/6

Flash ROM section

6  
5  
4  
3  
2  
1

A B C D E F G H I

TO SHEET 5

FLC5V  
R01  
DAC1CS  
DAC2CS  
R02  
R03  
NTB  
DAC2DMA  
SMUTE  
CPURST  
SSET  
FLINT

TO SHEET 5

PC00  
LAD0  
LAD1  
LAD2  
LAD3  
ALE  
RDY  
ACK  
SCLK  
PNEG-PHE3  
ADD-ADD31

TO SHEET 5

CR0UT  
CR0UT  
Y0UT  
C0UT

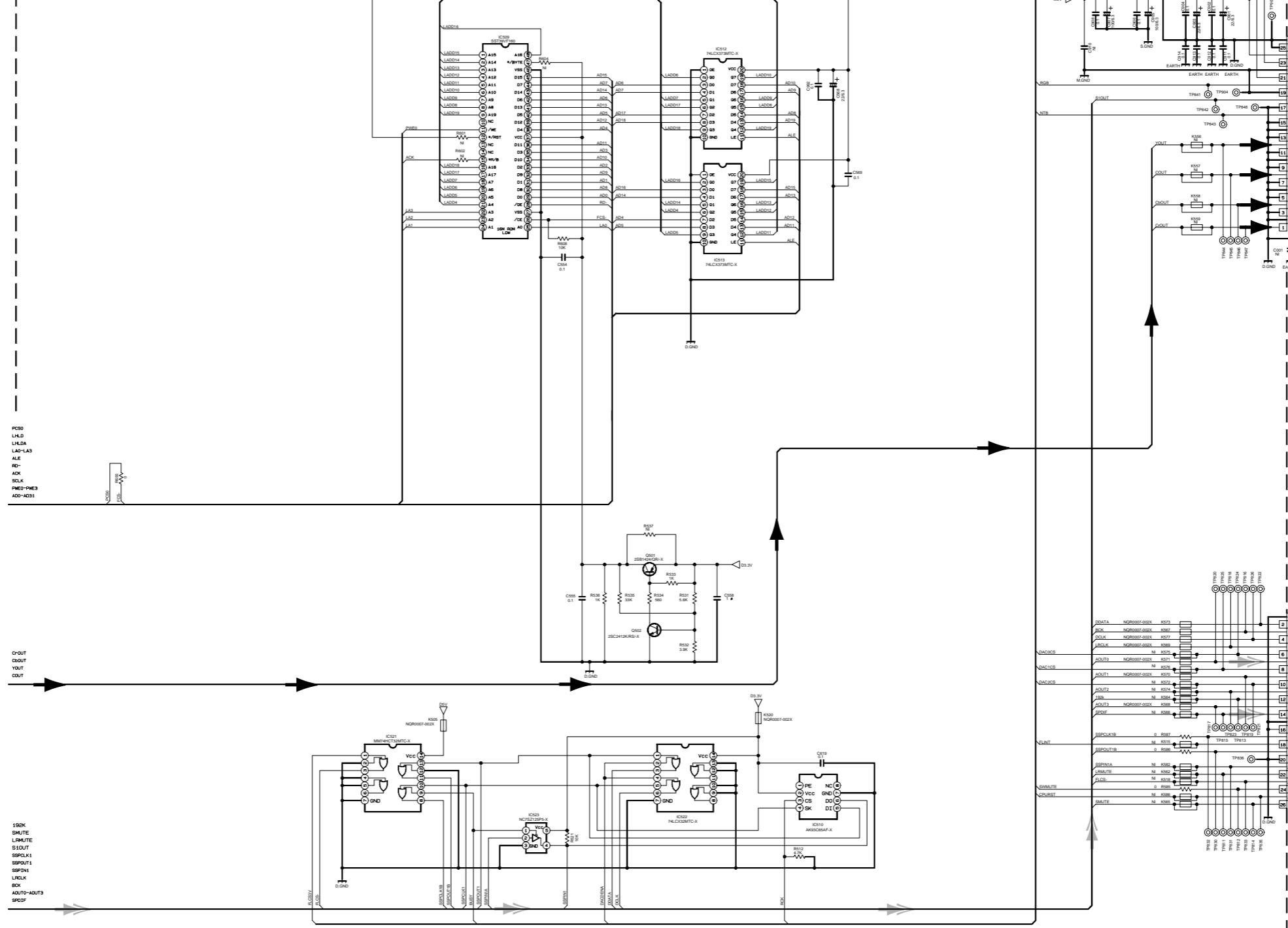
TO SHEET 5

190K  
SMUTE  
LHMUTE  
S1OUT  
SSCLK1  
SSPCLK1  
SSPCLK1  
SSPCLK1  
LCLK  
BK  
AD0T0-AD0T3  
SP01P

Flash (IC508,IC509) configuration

	RE01/605	RE02/606	RE04/607
SST39VF160	X	X	X
SST39VF160Q	X	X	X
MBM29LV160T	O	O	O

FLASH ROM



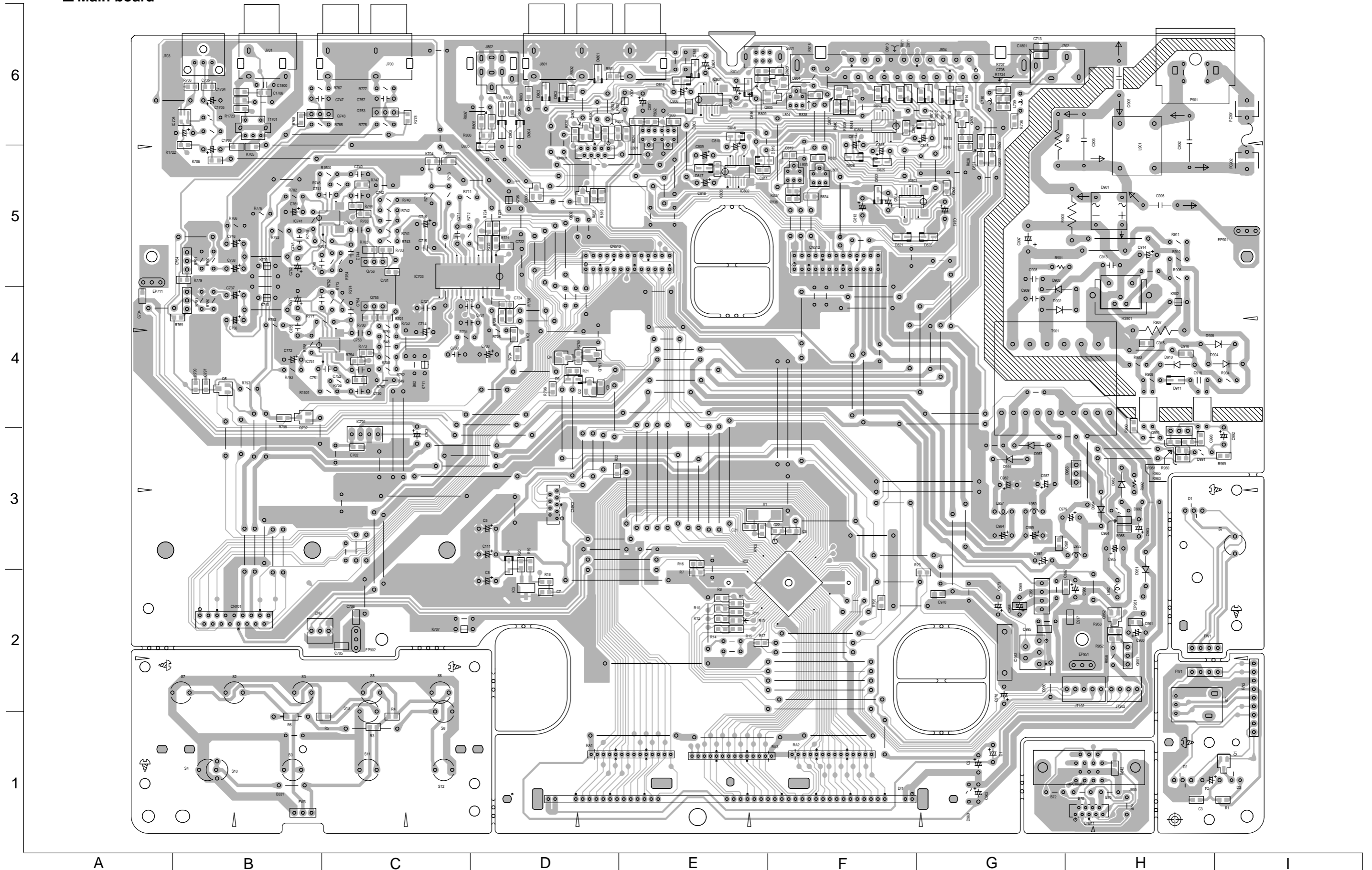
➔ Video signal  
➔ Audio signal

MODEL  
XV-S60  
SHEET 6/6



# Printed circuit boards

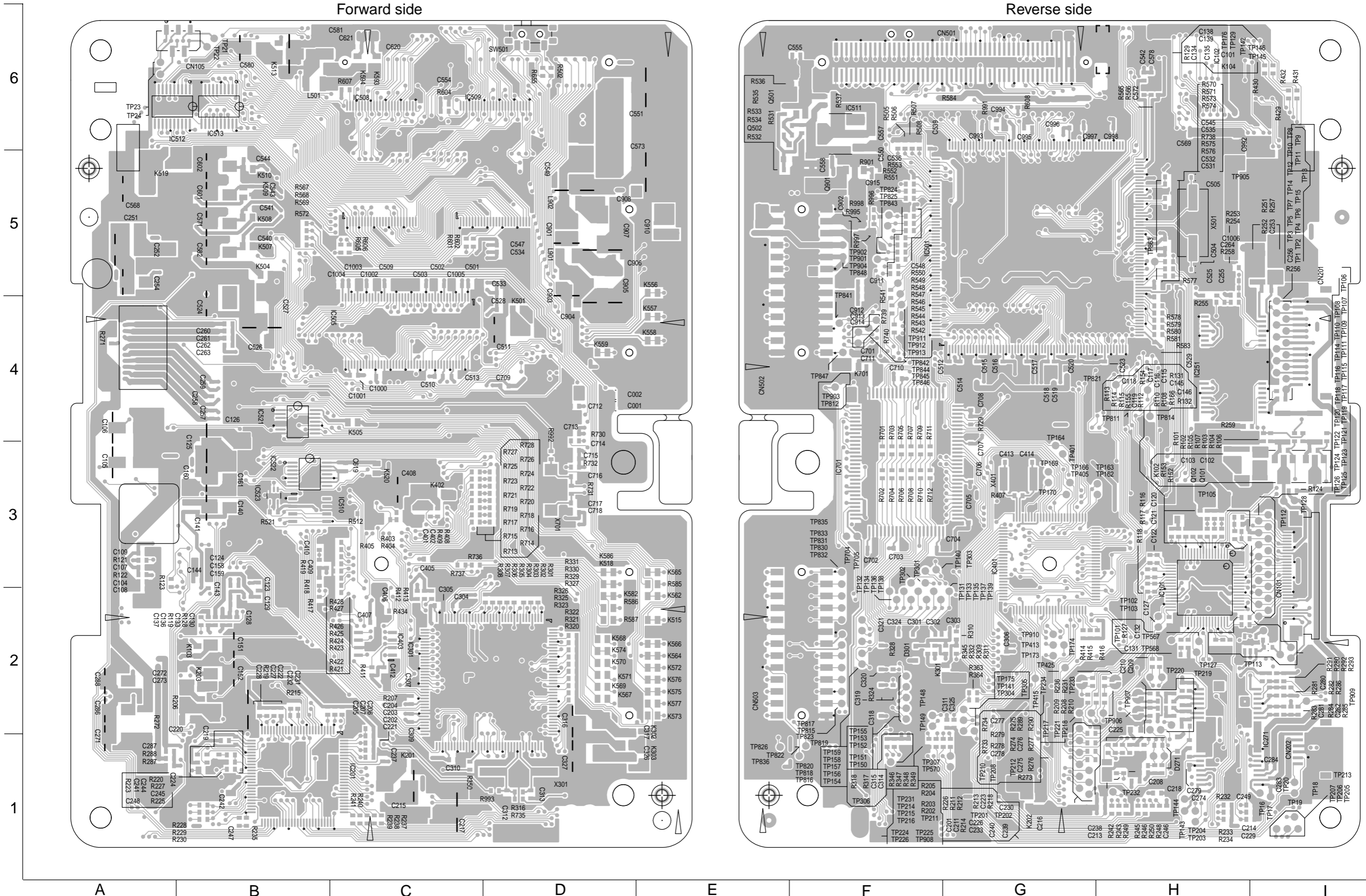
■ Main board



■ DVD Servo control board

Forward side

Reverse side



XV-S60BK/XV-S62SL  
XV-S65GD

XV-S60BK/XV-S62SL  
XV-S65GD

<<MEMO>>